



# SERVICE PARTS LIST

## VACUUM CLEANER

Catalog No. **8931**

Starting Serial No. **SERIES 1**

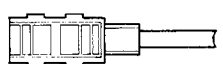
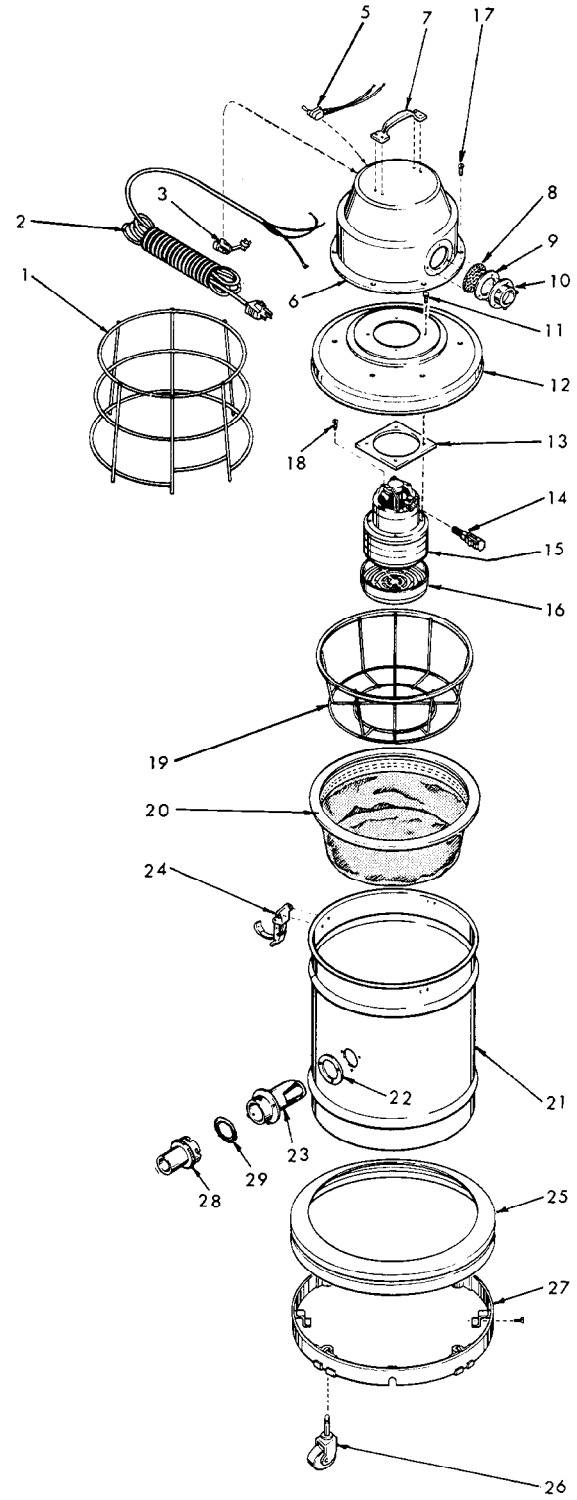
**BUL. 54-05-0425**

REVISED BUL. DATE  
May '76

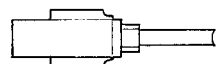
WIRING INSTRUCTIONS

FOR CAT. NO. 8931-2 (230V) VACUUM CLEANER USE:  
23-30-0121 MOTOR

FIG.	PART NO.	DESCRIPTION	NO. REQ.
1	49-90-0170	Hose Cage	(1)
2	22-64-0695	Cord Set	(1)
3	44-76-0070	Cord Protector	(1)
5	23-66-0880	Switch	(1)
6	42-92-0360	Motor Cover Assembly (Includes Fig. Nos. 7 thru 10)	(1)
7	43-62-0510	Handle	(1)
8	43-31-0280	Filter	(1)
9	43-44-0335	Gasket	(1)
10	42-86-0070	Connector	(1)
11	06-85-1950	10-24x5/8 Hex. Hd. Screw	(4)
12	42-92-0280	Container Cover	(1)
13	43-44-0380	Motor Gasket	(1)
14	—	Carbon Brush and Holder (Set)	(1)
		Refer to bottom of page	
15	23-30-0120	Straight thru Motor Assembly	(1)
16	43-54-0240	Motor Guard	(1)
17	06-85-2000	12x1/2 Phillips type B Pan Hd. Screw	(6)
18	06-81-4209	10-32x3/8 Phillips Hd. Tapping Screw	(1)
19	49-90-0290	Wire Frame	(1)
20	49-90-0280	Cloth Filter and Gasket	(1)
21	42-51-0370	Steel Dust Container Assembly (Includes Fig. Nos. 22 thru 24)	(1)
22	43-44-0370	Gasket	(1)
23	42-86-0080	Inlet Connector Assembly	(1)
24	42-68-0290	Holddown Clamp	(3)
25	42-38-0120	Dolly Bumper	(1)
26	45-94-0140	Swivel Bearing Caster	(4)
27	43-08-0170	Dolly Ring Body	(1)
28	49-90-0150	Swivel Connector (incl. fig. 29)	(1)
29	43-44-0275	Fitted Gasket	(1)
30	49-90-0311	Filter Bags (Package of Five Not Shown)	(1)



22-18-0430



22-18-0530